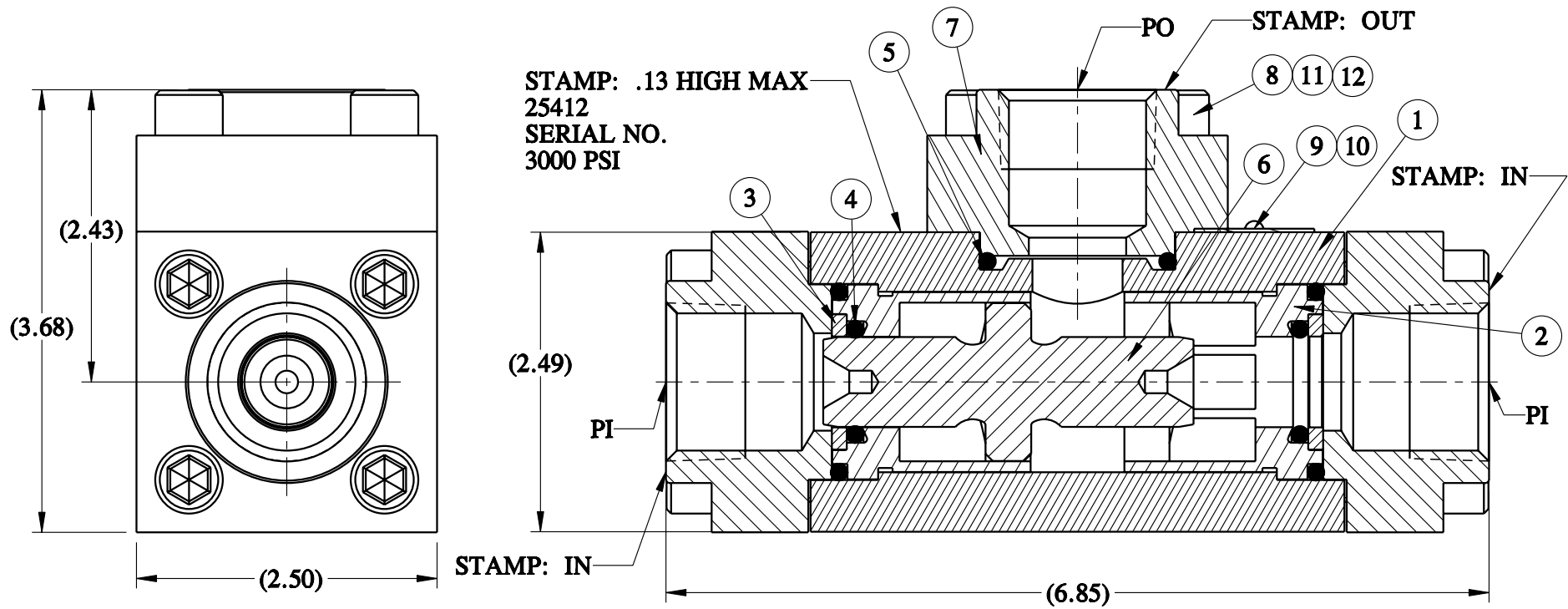


REV	ECN/ERN NO.	DRWN	CHKD	APPD
H	ECN 2895	WRC 12/9/04	BFM 3/1/05	TBT 3/3/05



ITEM NO	QTY	PART NO	DESCRIPTION	RK	SK
1	1	23173	HOUSING		
2	2	23008	CAGE	X	
3	2	11353	SPACER	X	
4	2	18100-109T	O-RING	X	X
5	3	18100-103B	O-RING	X	X
6	1	23009	SHUTTLE	X	
7	3	12207	FLANGE		
8	12	18224-002	SHCS, 3/8-16 UNC x 1-1/4		
9	1	12225	NAMEPLATE		
10	2	21082-002	DRIVE SCREW		
11	A/R	25822	ANTI SEIZE		
12	1	25822-1	ANTI SEIZE	X	X

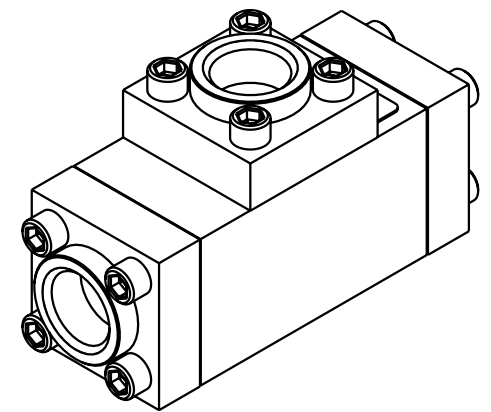
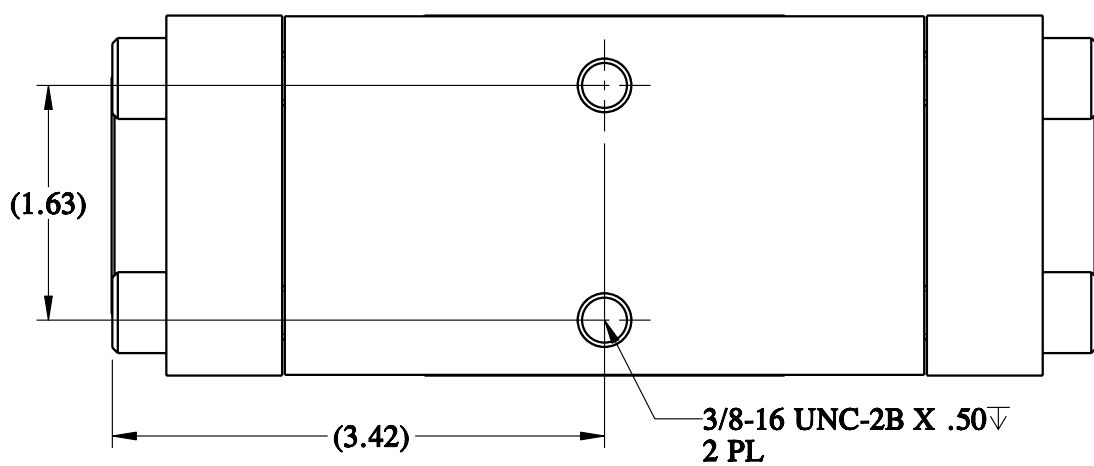
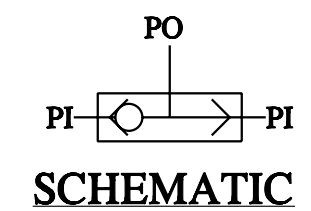
**PRESSURE DATA**  
MAX PRESSURE RATING: 3,000 PSI

**FLOW DATA**  
C<sub>v</sub>(CALC): 8  
MAX FLOW : 150 GPM  
FLUIDS: WATER, MINERAL OIL BASED HYDRAULIC FLUIDS

**PORTS**  
PI: 1 NPT  
PO: 1 NPT

**GENERAL DATA**  
TEMP RANGE -20° F TO 200° F  
WT: 11 LBS  
FIELD SERVICEABLE

MATERIALS
17-4PH
316 SS
410/416 SS
A286
NITRILE
TEFLON



**NOTES:** 1. X, IN COLUMN RK, DEPICTS PARTS IN REPAIR KIT, 25412 RK.  
2. X, IN COLUMN SK, DEPICTS PARTS IN SEAL KIT, 25412 SK.  
3. TORQUE ITEM 8 AT ASSEMBLY TO 18 FT-LBS.

MATERIAL		UNLESS OTHERWISE SPECIFIED		DRWN BY	DATE	<b>GILMORE VALVE CO.</b> 1231 LUMPKIN RD. HOUSTON, TX 77043  <b>VALVE, SHUTTLE, CUSHIONED</b> <b>3/4 (1 NPT), LOW-INTERFLOW</b>			
<b>SEE BOM ITEMS</b>		TOLERANCES:		<b>JOSE'</b>	<b>9/20/84</b>				
TREATMENT	CONDITION	DECIMALS	FRACTIONS	ANGLES	DATE				
		X.X ±.1	±1/32	±1.0	CHKD BY				
		X.XX ±.01			<b>OD</b>	DATE	SIZE	DWG NO.	REV
		X.XXX ±.005			APPD BY	DATE	<b>B</b>	<b>25412</b>	<b>H</b>
PROC. NO.		DEBURR		ERN NO.	DATE	SCALE	<b>3:4</b>	PRO/ENGINEER	SHEET 1 OF 1
THE INFORMATION CONTAINED IN THIS DRAWING IS THE SOLE PROPERTY OF GILMORE VALVE CO. UNLESS OTHERWISE STATED. ANY REPRODUCTION IN PART OR WHOLE WITHOUT THE WRITTEN PERMISSION OF GILMORE VALVE CO. IS PROHIBITED.		DIMENSIONS ARE IN INCHES		DO NOT SCALE DRAWING		INTERPRET DIM. & TOL. PER ASME Y14.5M - 1994			