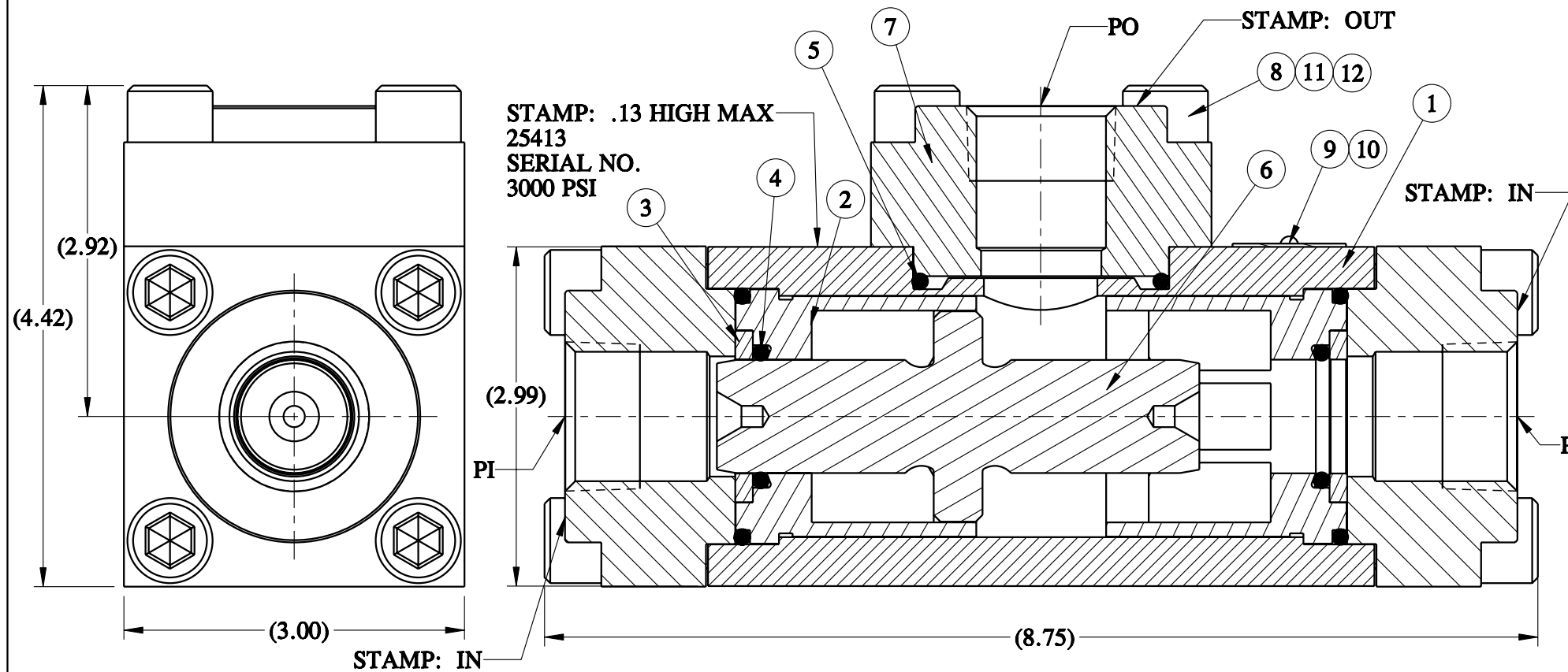


REV	ECN/ERN NO.	DRWN	CHKD	APPD
E	ECN 2895	WRC 12/9/04	BFM 2/24/05	TBT 2/28/05



ITEM NO	QTY	PART NO	DESCRIPTION	RK	SK
1	1	23171	HOUSING		
2	2	22961	CAGE	X	
3	2	11363	SPACER	X	
4	2	18100-107T	O-RING	X	X
5	3	18100-102B	O-RING	X	X
6	1	22124	SHUTTLE	X	
7	3	23170	FLANGE		
8	12	18224-005	SHCS, 1/2-13 UNC x 1-1/2		
9	1	12225	NAMEPLATE		
10	2	21082-002	DRIVE SCREW		
11	A/R	25822	ANTI SEIZE		
12	1	25822-1	ANTI SEIZE	X	X

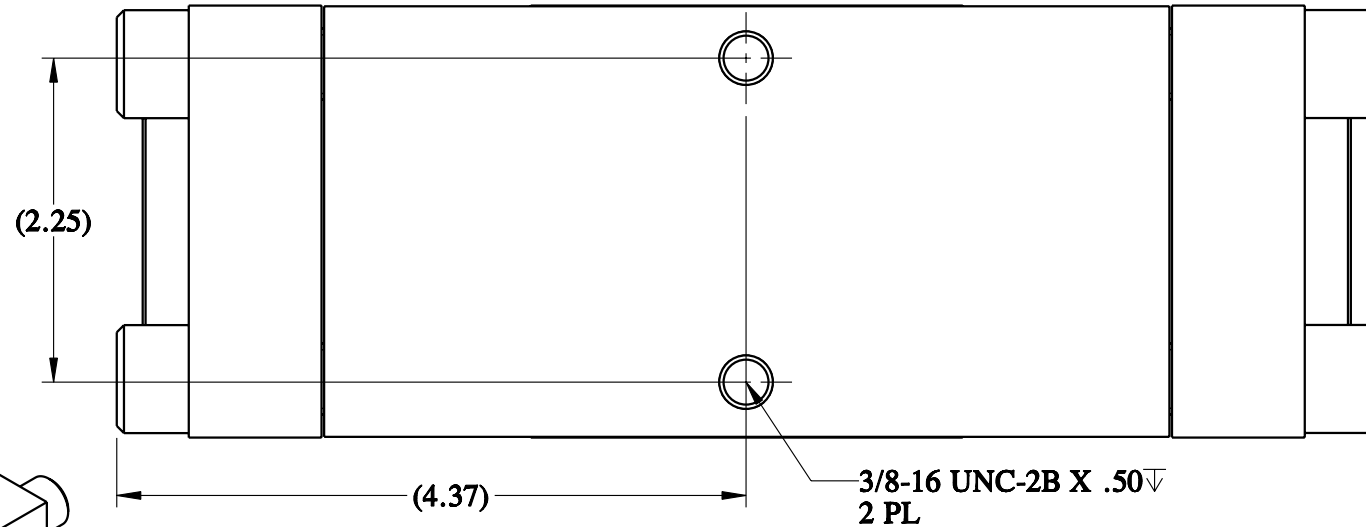
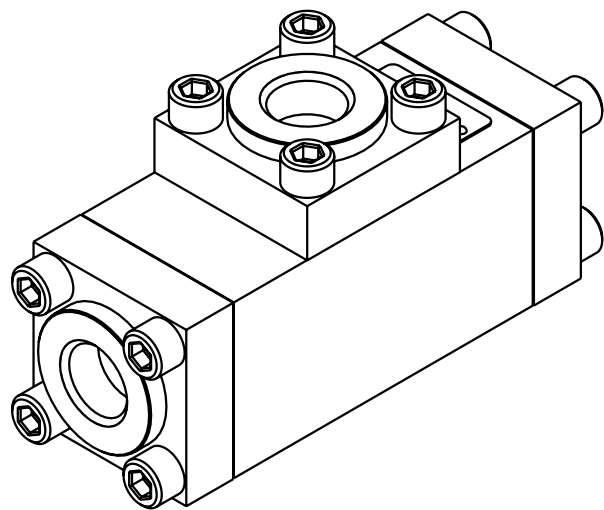
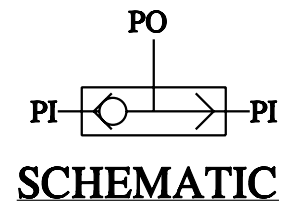
PRESSURE DATA
MAX PRESSURE RATING: 3,000 PSI

FLOW DATA
C_v(CALC): 14.9
FLUIDS: WATER, MINERAL OIL BASED HYDRAULIC FLUIDS

PORTS
PI: 1 NPT
PO: 1 NPT

GENERAL DATA
TEMP RANGE -20° F TO 200° F
WT: 20 LBS
FIELD SERVICEABLE

MATERIALS
17-4PH
316 SS
410/416 SS
A286
NITRILE
TEFLON



NOTES: 1. X, IN COLUMN RK, DEPICTS PARTS IN REPAIR KIT, 25413 RK.
2. X, IN COLUMN SK, DEPICTS PARTS IN SEAL KIT, 25413 SK.
3. TORQUE ITEM 8 AT ASSEMBLY TO 45 FT-LBS.

MATERIAL		UNLESS OTHERWISE SPECIFIED		DRWN BY	DATE	GILMORE VALVE CO. 1231 LUMPKIN RD. HOUSTON, TX 77043		
SEE BOM ITEMS		TOLERANCES:		JOSE'	9/19/84			
TREATMENT	CONDITION	DECIMALS	FRACTIONS	ANGLES	DATE	SIZE	DWG NO.	REV
		X.X ±.1	±1/32	±1.0	10/22/84	B	25413	E
		X.XX ±.01				SCALE	3:4	PRO/ENGINEER
		X.XXX ±.005				SHEET 1 OF 1		
PROC. NO.		DEBURR BREAK SHARP EDGES .010 INTERNAL RADIUS .015 FINISH		APPD BY	DATE			
THE INFORMATION CONTAINED IN THIS DRAWING IS THE SOLE PROPERTY OF GILMORE VALVE CO. UNLESS OTHERWISE STATED. ANY REPRODUCTION IN PART OR WHOLE WITHOUT THE WRITTEN PERMISSION OF GILMORE VALVE CO. IS PROHIBITED.		DIMENSIONS ARE IN INCHES DO NOT SCALE DRAWING		ERN NO.	DATE			
		INTERPRET DIM. & TOL. PER ASME Y14.5M - 1994						